



PLEIX-QUIP



Africa (Pty)Ltd

SS. NEEDLE VALVE

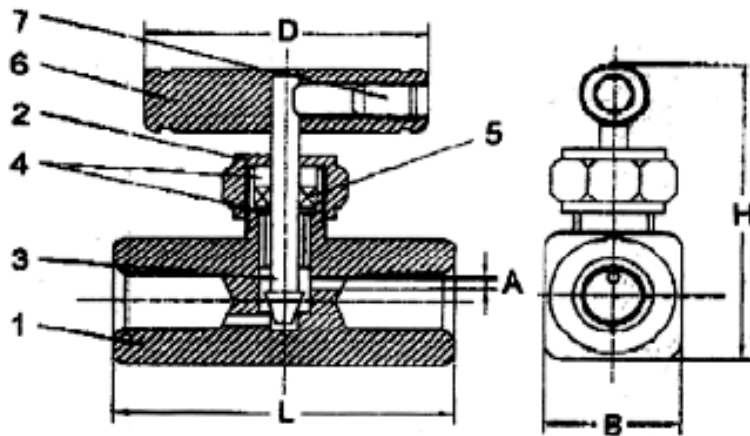
PQ 6000 #



127 Lemmer Road, Vulcania Ext. 2, Brakpan, RSA
PO Box 10270 Dalview 1544.
Phone No. : +27 11 736 4994 Fax: +27 11 736 6130
Email: pleixquip@pleixquip.co.za
Website: www.pleixquip.co.za

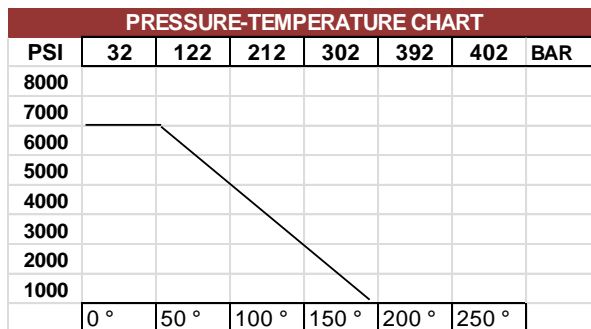


HIGH PRESSURE NEEDLE VALVE MODEL PQ-SN6000



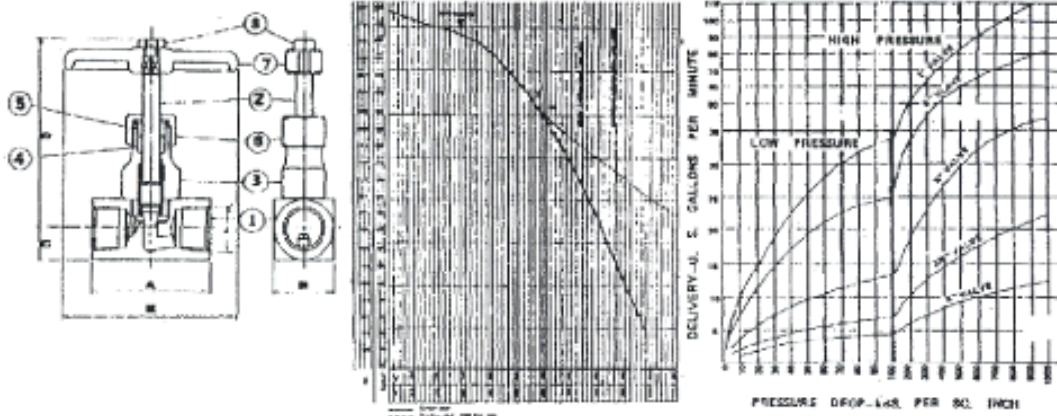
NO	PART NAME	MATERIAL
		AISI-316
1	BODY	316
2	STEM	316
3	GLAND	316
4	PACKING	PTFE
5	PACK NUT	316
6	HANDLE	316
7	NUT	316

DIMENSIONS					
ALL IN mm					
SIZE	A	B	D	H	THREADS
8	3	22	47	47	
10	3	25	47	47	NPT
12	4	32	65	65	ANSI B2.1
15	5.0	35	65	65	PT BS B21
25	7	46	80	80	





HIGH PRESSURE NEEDLE VALVES BAR-STOCK METAL-TO-METAL SEAT WITH HIGH PRESSURE AND HIGH TEMPERATURE PACKING.



DIMENSIONS														
SIZE	A		B		C		D		E		d	NET WT		
	mm	inch	mm	inch	mm	inch	mm	inch	mm	inch		KG	LB	
1/4 "	50.8	2	25.4	1	12.7	0.5	89	3.5	65	2.56	1/4 "	NPT (ANSI B 2.1) PT (BS B21) DIN (259)	0.38	0.83
3/8 "	50.8	2	25.4	1	12.7	0.5	89	3.5	65	2.56	3/8 "		0.36	0.78
1/2 "	83.6	2.5	31.7	1.25	15.9	0.62	101	3.98	90	3.54	1/2 "		0.62	1.37
3/4 "	75	2.95	38	1.5	19	0.75	120	4.72	100	3.94	3/4 "		1.02	2.25
1 "	100	3.94	50.8	2	25.4	1	140	5.51	120	4.72	1 "		2.23	4.91

SPECIFICATIONS			
WORKING		HYDROSTATIC TEST PRESSURE	
PRESSURE	TEMPERATURE	BODY	SEAT
6000psi	200° F	10 000psi	6000
420 kg/cm ²	93° C	700kg/cm ²	420 kg/cm ²

BILL OF MATERIALS					
NO	QTY	PART NAME	MATERIAL		
			AISI 316	AISI 304	CARBON STEEL
1	1	BODY	316	304	CS (1)
2	1	STEM	316	304	CS
3	1	BONNET	316	304	CS
4	1	PACKING	GRAPHITE ASBESTOS (2) (OR TEFLON)		
5	1	GLAND	316	304	CS
6	1	PACK NUT	316	304	CS
7	1	HANDLE	ZAMAK DIE CAST		
8	1	NUT	304	304	CS

NOTE: TEFLON PACKING MAX. TEMP. 500°F (200°C)

APPLICATION: FOR INSTRUMENT LINES, PNEUMATIC AND HYDRAULIC CONTROL SYSTEMS, GAUGES, ETC. HIGH PRESSURE AND HIGH TEMPERATURE SERVICES.

- (1) FINISH WITH ZINC CHROMATE
- (2) THIS PACKING CONFORM TO