



# PLEIX-QUIP



Africa (Pty)Ltd

## INVESTMENT CAST STAINLESS STEEL 1-PIECE BALL VALVES

69 BAR (1000 PSI) WOG 1-PC BALL VALVE  
FIG. PQ-1S-1000 REDUCED PORT (CF8M)  
BLOW OUT PROOF STEM





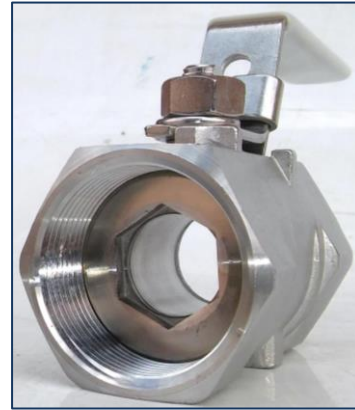
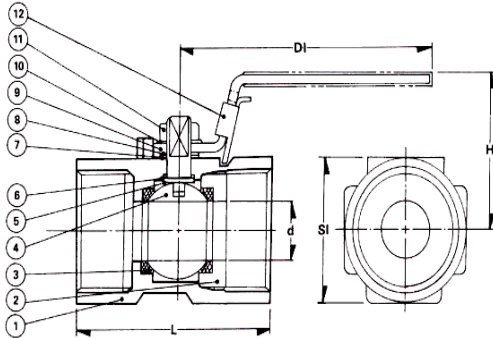
## INVESTMENT CAST – STAINLESS STEEL BALL VALVES

69 BAR (1000PSI) WOG 1-PC BALL VALVE

FIG. PQ-SB-1000 REDUCED PORT (CF8M)

BLOW OUT PROOF STEM – THREADED ENDS NPT OR BSP

Ideal for effectively controlling the flow of water, oil, gas and chemicals up to the working pressure of 69 bar from -200° C to 260° C



### MATERIALS

NO	PART	MATERIALS
1	BODY	316 STAINLESS STEEL
2	SEAT RETAINER	316 STAINLESS STEEL
3	SEAT	P.T.F.E
4	BALL	316 STAINLESS STEEL
5	STEM	316 STAINLESS STEEL
6	THRUST WASHER	15% G. REINF. P.T.F.E
7	GLAND WASHER	P.T.F.E
8	STEM WASHER	304 STAINLESS STEEL
9	HANDLE	304 STAINLESS STEEL/VINYL SLEEVE
10	SPRING WASHER	304 STAINLESS STEEL
11	LOCKING NUT	AISI 304
12	LOCKING DEVICE	AISI 304

### LOCKING DEVICE ON 6MM AND 10MM SIZE VALVE – LOCKABLE “HOLED HANDLE” TYPE

VALVE SIZE	d	H	DI	L	SI	WT (KGS)
6	5	31	60	39	17	0.07
10	7	36	70	44	21	0.12
15	9.2	41	85	56.5	25	0.20
20	12.5	44	85	59	32	0.28
25	16	48	100	71	38	0.43
32	20	54	100	78	49	0.73
40	24.5	65	125	83	53	0.85
50	32	72	125	95	65	1.45

LOCKING DEVICE:-  
LIFT TYPE ON SIZES 15MM TO 50MM  
LOCKABLE “HOLED HANDLE” TYPE ON SIZES 6MM AND 10MM

Cv. U.S. GPM

VALVE SIZE (mm)	Cv
6	1.0
10	2.5
15	5.5
20	10.0
25	15.5
32	20.0
40	37.0
50	60.0

### PRESSURE – TEMPERATURE RATING

CAN HANDLE TEMPERATURES FROM -200 TO +260  
TEST PRESSURE SEAT: AIR 7 BAR  
BODY: HYDROSTATIC 80 BAR