



PLEIX-QUIP



Africa (Pty)Ltd

STAINLESS STEEL BALL VALVES

ANSI 150, 300, PN16, PN40 FLANGED - INVESTMENT CAST
FIG. PQ 2S-150 (CLASS 150) FIG. PQ 2S-300 (CLASS 300)
FIG. PQ 2S-PN16 (CLASS PN16) FIG. PQ2S-PN40 (CLASS PN40)
SIZES 15MM TO 50MM



127 Lemmer Road, Vulcania Ext. 2, Brakpan, RSA
PO Box 10270 Dalview 1544.
Phone No. : +27 11 736 4994 Fax: +27 11 736 6130
Email: pleixquip@pleixquip.co.za
Website: www.pleixquip.co.za



PLEIX-QUIP

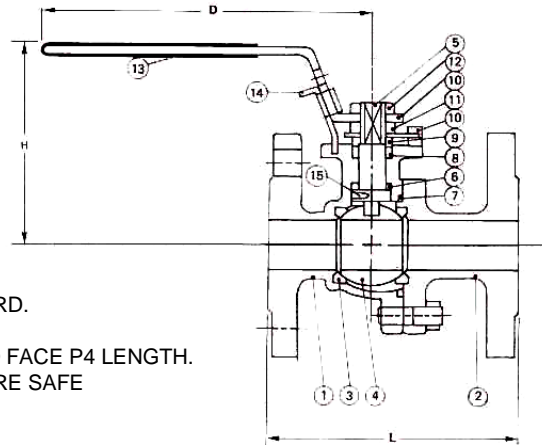


Africa (Pty)Ltd

INVESTMENT CAST (CF8M)

ANSI 150 AND 300 FLANGED BALL VALVE
 FIG. PQ 2S-150/PN10 - CLASS 150 FULL BORE
 FIG. PQ 2S-300/PN40 - CLASS 300 FULL BORE
 DESIGNED AND ENGINEERED FOR PULP AND PAPER,
 CHEMICALS, MINING AND PETROLEUM INDUSTRIES.

- ISO PAD FOR THE MOUNTING OF ACTUATORS.
- TWO PIECE CAST BODY IN CORROSION RESISTANT STAINLESS STEEL (CF8M)
- DDTFM 1600 SEAT AND PTFE PACKING.
- SIZES: 15MM TO 80MM, LEVER OPERATION
- FLANGES MATCH ANSI B16.5 FOR 150LB AND 300LB AND BS4504/10 AND BS4504/40 FOR 10 BAR AND 40 BAR STANDARD.
- FACE TO FACE ANSI B16.10
- ALSO AVAILABLE IN DIN3202, PN16 AND PN40 WITH FACE TO FACE P4 LENGTH.
- VALVES DESIGNED TO CONFORM TO API607 AND BS6755 FIRE SAFE
- SERRATED GASKET FACES
- COMPLETE WITH ANTI STATIC DEVICE
- BLOW OUT PROOF STEM
- LOCKING DEVICE
- ALL VALVES CAN BE PLEIX QUIP ACTUATED



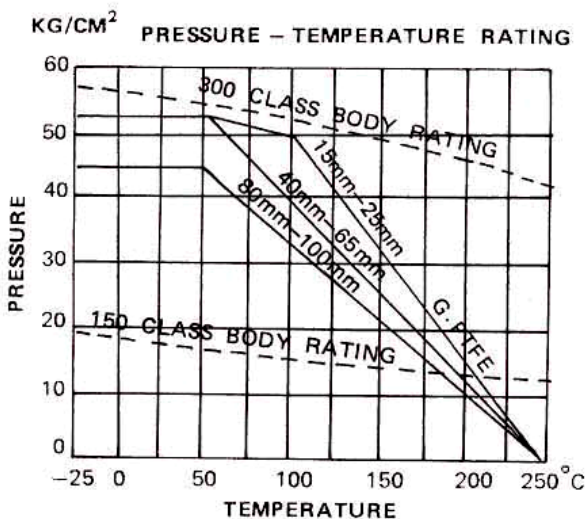
MATERIAL LIST

*OTHER MATERIALS AVAILABLE ON REQUEST.

DIMENSIONS (mm)

VALVE SIZE MM	FIG. PQ 2S-150 CLASS 150				FIG. PQ 2S-300 CLASS 300			
	L	H	D	N.W. (KGS)	L	H	D	N.W. (KGS)
Ø15	108	68	125	1.7	140	69	125	2.1
Ø20	117	85	160	2.1	152	85	160	3.1
Ø25	127	90	160	3.2	165	95	160	4.3
Ø40	165	114	225	5.5	178	120	225	7.8
Ø50	178	124	225	8.4	216	130	225	10.7

STANDARD MATERIALS		
NO	PART	MATERIAL
1	BODY	ASTM A-351 CF8M
2	CAP	ASTM A-351 CF8M
3	SEAT	DD TFM 1600
4	BALL	ASTM A-351 CF8M
5	STEM	SS316
6	THRUST WASHER	15% GLASS FILLED PTFE
7	BODY GASKET	PTFE
8	STEM PACKING	PTFE
9	GLAND	SS304
10	HANDLE STOPPER	SS304
11	STEM WASHER	SS304
12	STEM NUT	SS304
13	GRIP	VINYL
14	LOCKING DEVICE	SS304
15	ANTI STATIC	SS316



Cv: U.S. GPM

VALVE SIZE (mm)	FULL BORE Cv
Ø15	12
Ø20	42
Ø25	100
Ø40	220
Ø50	455
Ø65	750
Ø80	1300

127 Lemmer Road, Vulcania Ext. 2, Brakpan, RSA
 PO Box 10270 Dalview 1544.
 Phone No. : +27 11 736 4994 Fax: +27 11 736 6130
 Email: pleixquip@pleixquip.co.za
 Website: www.pleixquip.co.za



PLEIX-QUIP



Africa (Pty)Ltd

STAINLESS STEEL BALL VALVES (CF8M)

ANSI 150, 300, PN16, PN40 FLANGED BALL VALVES

FIG. PQ-2S-150 CLASS 150; FIG. PQ-2S-300 CLASS 300; ALL FULL BORE

FIG. PQ-2S-PN16 CLASS PN16; FIG. PQ-2S-PN40 CLASS PN40

SIZES 65MM TO 300MM



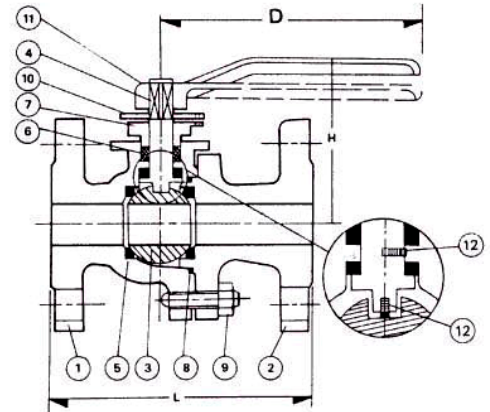


PLEIX-QUIP



Africa (Pty)Ltd

- ISO 5211 PAD FOR THE MOUNTING OF ACTUATORS.
- TWO PIECE CAST BODY IN CORROSION RESISTANT STAINLESS STEEL (CF8M)
- DD TFM 1600 SEATS AND PTFE STEM PACKING.
- GRAPHITE PACKING ON BODY.
- SIZES: 65MM TO 300MM.
- LEVER OPERATION 65MM TO 150MM
- BEVEL GEAR OPERATION – 200MM TO 300MM
- ALL VALVES CAN BE PLEIX QUIP ACTUATED
- FLANGES MATCH ANSI B16.5 FOR 150LB AND 300LB STANDARD
- VALVES DESIGNED TO CONFORM TO API607 AND BS6755 FIRE SAFE
- SERRATED GASKET FACES
- COMPLETE WITH ANTI-STATIC DEVICE - BLOW OUT PROOF STEM
- ALSO AVAILABLE BS4504/10 AND BS4504/40 DRILLING FOR 10BAR AND 40 BAR STANDARD.
- LOCKING DEVICE



MATERIAL LIST

*OTHER MATERIALS AVAILABLE ON REQUEST.

DIMENSIONS (mm) N.W. EXCLUDING WEIGHT OF OPERATOR

VALVE SIZE MM	FIG. PQ 2C-150 CLASS 150 PN16				FIG. PQ 2C-300 CLASS 300 PN40			
	L	H	D	N.W. (Kg's)	L	H	D	N.W. (Kg's)
65	191	155	400	18	241	155	400	21
80	203	165	400	22	283	165	400	31
100	229	195	500	32.5	305	195	500	40
150	394	245	700	85	403	245	700	95
200	457	326	-	135	502	326	-	190
250	533	420	-	200	568	-	-	250
300	610	420	-	280	648	-	-	340

STANDARD MATERIALS		
NO	PART	MATERIAL
1	BODY	ASTM A-351 CF8M
2	CAP	ASTM A-351 CF8M
3	SEAT	DD TFM1600
4	BALL	ASTM A-351 CF8M
5	STEM	SS316
6	THRUST WASHER	15% GLASS FILLED PTFE
7	BODY GASKET	PTFE
8	STEM PACKING	PTFE
9	GLAND	SS304
10	HANDLE STOPPER	SS304
11	STEM WASHER	SS304
12	STEM NUT	SS304
13	GRIP	VINYL
14	LOCKING DEVICE	SS304
15	ANTI STATIC	SS316

Cv: U.S. GPM

VALVE SIZE (mm)	FULL PORT Cv
65	750
80	1300
100	2400
125	4300
150	5400
200	10000
250	16000
300	24000

127 Lemmer Road, Vulcania Ext. 2, Brakpan, RSA
 PO Box 10270 Dalview 1544.
 Phone No. : +27 11 736 4994 Fax: +27 11 736 6130
 Email: pleixquip@pleixquip.co.za
 Website: www.pleixquip.co.za



PLEIX-QUIP



Africa (Pty)Ltd
