



PLEIX-QUIP

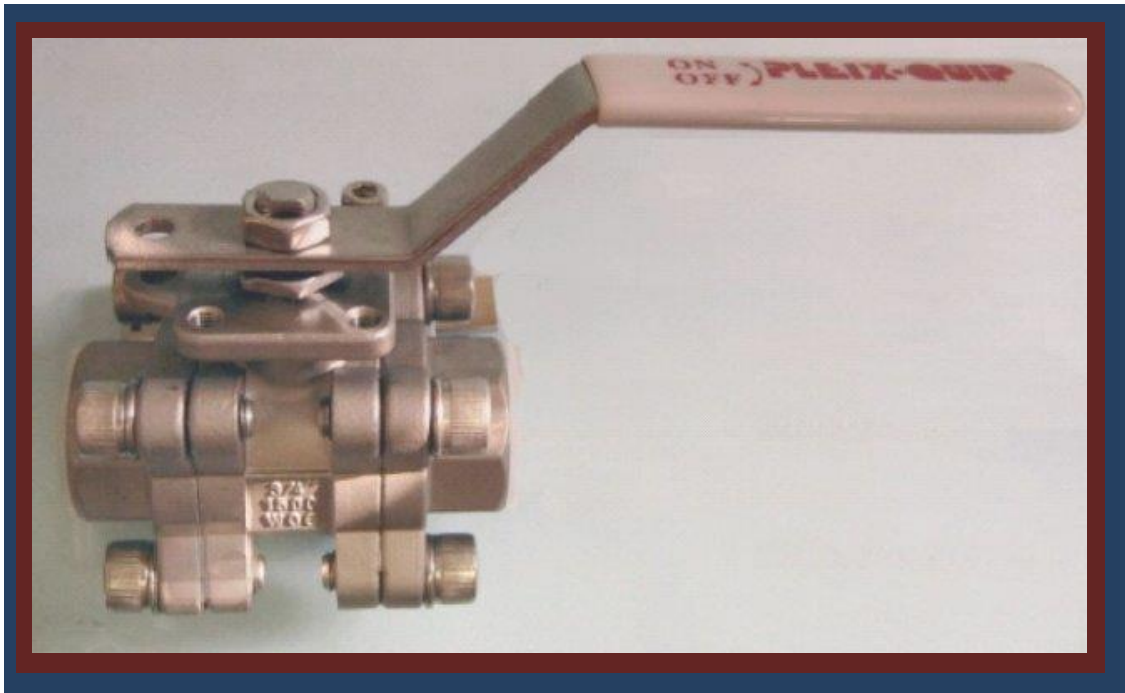


Africa (Pty)Ltd

STAINLESS STEEL AND CARBON STEEL FULL BORE 3-PIECE BALL VALVES

PQ3S1500 STAINLESS STEEL
PQ3C1500 CARBON STEEL

103 BAR 1500PSI
FIRE SAFE BS6755
SCREWED OR SOCKET WELD



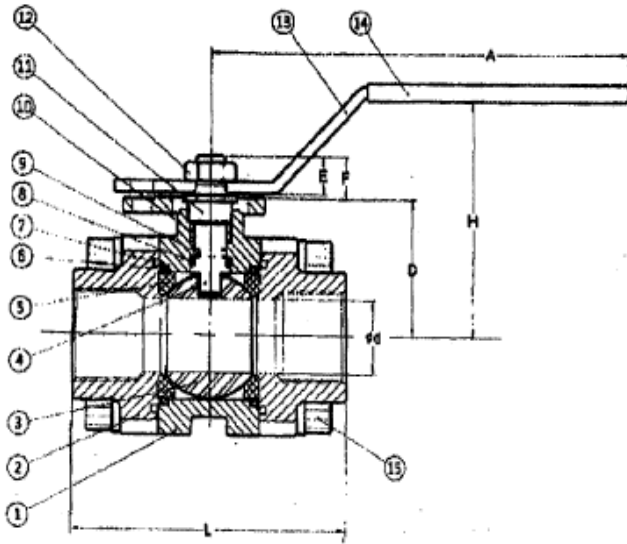
127 Lemmer Road, Vulcania Ext. 2, Brakpan, RSA
PO Box 10270 Dalview 1544.
Phone No. : +27 11 736 4994 Fax: +27 11 736 6130
Email: pleixquip@pleixquip.co.za
Website: www.pleixquip.co.za



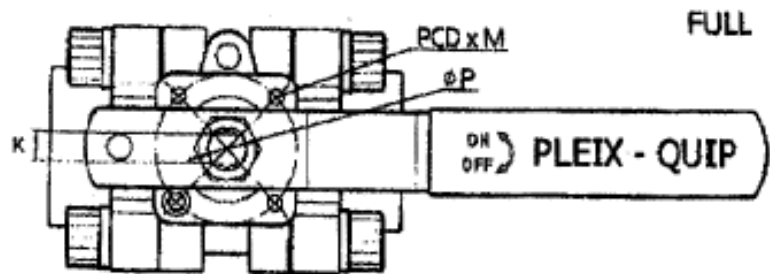
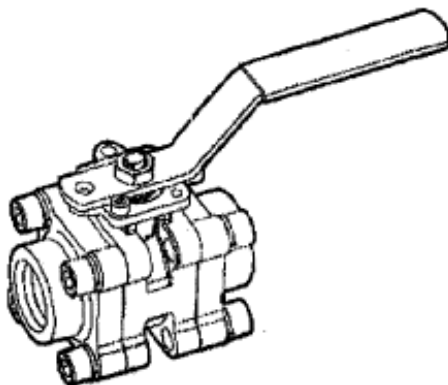
PLEIX-QUIP



Africa (Pty)Ltd



NO	PARTS NAME	MATERIAL	
1	FIG	PQ-3S-1500	PQ-3C-1500
2	BODY	ASTM A351 CF8M	ASTM A216 WCB
3	CAP	ASTM A351 CF8M	ASTM A216 WCB
4	BALL	ASTM A351 CF8M	ASTM A351 CF8
5	STEM	ASTM A276 F316	ASTM A276 F304
6	SEAT	DD 1600	DD 1600
7	GASKET A	PTFE/GRAPHITE	PTFE/GRAPHITE
8	GASKET B	PTFE/GRAPHITE	PTFE/GRAPHITE
9	THRUST WASHER	PTFE	PTFE
10	O-RING	VITON	VITON
11	PACKING	GRAPHITE	GRAPHITE
12	GLAND	SS304	SS304
13	NUT	SS304	SS304
14	LEVER	SS304	SS304
15	GRIP	PVC	PVC
16	BOLTS	A193-B8	A183-B8
17	SCREWED	BSPT	BSPT



Size	Ø d	L	D	H	A	K	Ø P	E	F	PCD	ISO	M
10mm	3/8"	12.5	61	31	70	135	6	10	10	14	FO3	M5 x P 0.8
15mm	1/2"	15	65	33	59	120	6	10	24	33	FO3	M5 x P 0.8
20mm	3/4"	20	76	35	73	138	8	10	10	14	FO3	M5 x P 0.8
25mm	1"	25	85	41	90	166	8	12	11	17	FO4	M5 x P 0.8
32mm	1 1/4"	32	100	47	97	168	8	12	11	17	FO4	M5 x P 0.8
40mm	1 1/2"	38	112	58	110	235	10	18	20	33	FO5	M6 x P10
50mm	2"	50	134	65	128	235	10	18	20	33	FO5	M6 x P10

127 Lemmer Road, Vulcania Ext. 2, Brakpan, RSA
 PO Box 10270 Dalview 1544.
 Phone No. : +27 11 736 4994 Fax: +27 11 736 6130
 Email: pleixquip@pleixquip.co.za
 Website: www.pleixquip.co.za