



### ELECTRIC ACTUATOR SA - 009

- Designed for small quarter-turn applications. This actuator can also automate valves requiring up to 270-degrees rotation
- Engineered to be lightweight and compact for greater versatility.
- The unique housing design allows various options to be installed without the additional cost of an external enclosure.
- 4-LED lights are located inside the high impact dome indicator. When the actuator reaches the full open or full close position, the dome lights will illuminate and allow added visibility over a greater distance or in low light areas.
- To help protect the components and extend the actuator's life, a 5-watt anti-condensation heater is included as standard.
- Included with the end of travel motor switches are two additional dry-contacts for auxiliary indication.
- A thermal protector is provided to protect the motor from over- heating.
- The worm gear drive eliminates the possibility of back drive and the need for motor brakes.
- Designed for mounting in any orientation.
- In case of a power loss, the manual over-ride is provided for positioning the valve.
- 3 ISO mounting pads are provided for greater flexibility.



### PERFORMANCE

MODEL	OUTPUT TORQUE		OPERATING TIME (90 °)			MOTOR CLASS ( E )	RATED CURRENT (mA)				DUTY CYCLE	NUMBER OF HANDLE TURNS	WEIGHT
							1 PHASE (AC)			DC			
	Kg.m	N.m	60Hz	50Hz	DC24V	W	24V	110V	220V	24V	S4 (%)	Kg	
SA-009	9	90	30	36	17	6	1.8	0.19	0.19	1.8	30	6	2.8
SA-009L	9	90	30	36	17	6	1.8	0.19	0.19	1.8	30	6	3.2

### OPTION

	SA-09	SA-09L
P.I.U	Potentiometer Unit (1k-Ohm)	•
C.P.T	Current Position Transmitter Output DC 4-20mA	•
P.C.U	Proportional control unit Input: DC 4-20mA, 2-10V, 0-5V, 0-10V, 1-5V Output DC 4-20mA	•
L.C.U	Local Control Unit	•
R.B.P	Rechargeable Battery Pack	•



P.C.U





# PLEIX-QUIP

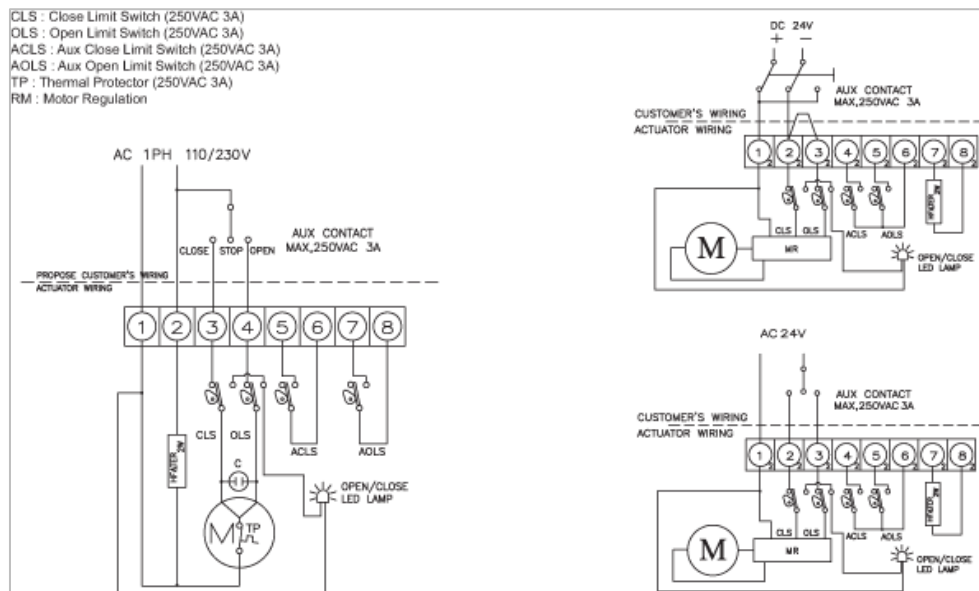


Africa (Pty)Ltd

## STANDARD SPECIFICATION

Indicator	Dome type (LED light inside)	Enclosure	Weatherproof enclosure IP67 Nema 4 and 6
Ambient temperature	-20° C to 70° C	Power supply	AC110/230V 1 PH ± 10% 50/60Hz, DC24(AC24V)
Limit switches	2 Open/Close + Dry contact 2 Open/close	Travel angle	90° ± 5° (extension: up to 360° )
Manual operation	By L-wrench (6mm hexagon)	Self locking	Provided by means of worm gearing
Space heater	5W(110/230VAC,24VDC)	Conduit entries	Two PF½" (option:M20)
Lubrication	Shell Gadus S2 V220 2	Consist of Materials	Steel, aluminium alloy, bronze
Surface Treatment	Anodizing	External coating	Polyester (TGIC-free)

## STANDARD WIRING



## DIMENSION

SA-009	SA-009L	BASE (option)
		<p>           A: ISO 5211 F03 (Ø36 M5TAP DP8)            B: ISO 5211 F05 (Ø50 M6TAP DP10)            C: ISO 5211 F07 (Ø70 M6TAP DP13)         </p>

127 Lemmer Road, Vulcania Ext. 2, Brakpan, RSA  
 PO Box 10270, Dalview 1544.  
 Phone No. : +27 11 736 4994 Fax: +27 11 736 6130  
 Email: [pleixquip@pleixquip.co.za](mailto:pleixquip@pleixquip.co.za)  
 Website: [www.pleixquip.co.za](http://www.pleixquip.co.za)