



PLEIX-QUIP



Africa (Pty)Ltd

FORGED HEXAGONAL CARBON STEEL BALL VALVE

PQ-CB-2000 (136 BAR - 2000 PSI) WOG REDUCED BORE
FIG. PQ-CB-2000 REDUCED BORE





PLEIX-QUIP

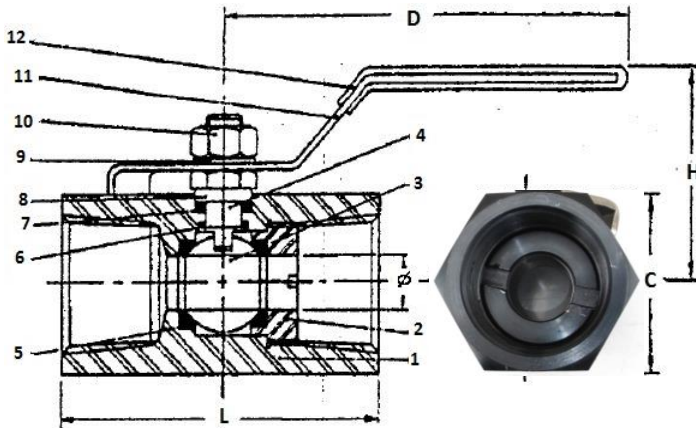
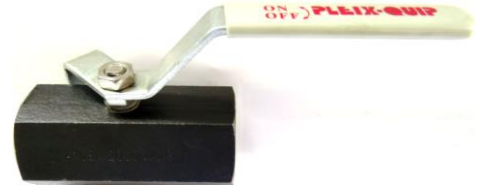


Africa (Pty)Ltd

FORGED HEXAGONAL BARSTOCK

CARBON STEEL BALL VALVES (AISI 1018)
FIG: PQ-CB-2000 (2000PSI WOG REDUCED PORT)

- ALL VALVES SOLUTION ANNEALED.
- BLOW OUT PROOF STEM.
- IDEAL FOR EFFECTIVELY CONTROLLING THE FLOW OF WATER, OIL, GAS AND CHEMICALS UP TO THE WORKING PRESSURE OF 2000 PSI FROM -200°C TO +260°C.
- COMPLIES WITH NACE MR-0175 FOR SOUR GAS SERVICE.
- COMPLIES WITH FIRE SAFE API 607.



STANDARD MATERIALS		
NO	PART	MATERIALS
1	BODY	CS AISI 1018
2	SEAT RETAINER	CS AISI 1018
3	BALL	SS CF8
4	STEM	SS AISI 304
5	SEAT	15% GLASS PTFE
6	THRUST WASHER	15% GLASS PTFE
7	PACKING	PTFE
8	GLAND	CS S25C
9	SPRING WASHER	STEEL
10	NUT	CS S25C
11	HANDLE	CS S25C
12	GRIP	VINYL

VALVE SEAT PRESSURE – TEMPERATURE RATING Cv:

VALVE SIZE	Ø	L	C	D	H	NETT WEIGHT KG'S
15mm	9.5	60	29	90	50	0.3
20mm	13	70	35	90	54	0.4
25mm	15	84	41	110	66	0.6
32mm	20	92	54	110	68	1.3
40mm	25	97	58	130	71	1.5
50mm	32	114	73	130	80	2.6

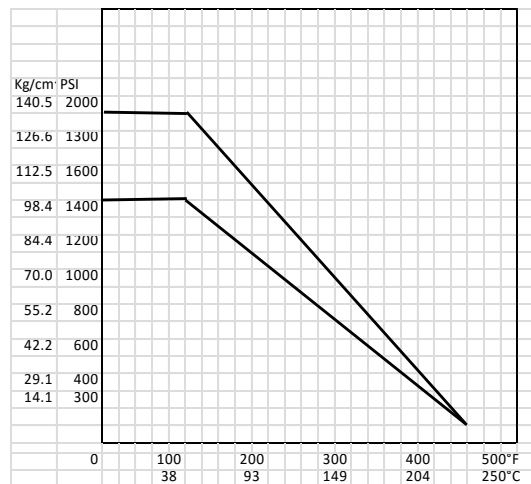
*BALL AND STEM ARE AVAILABLE WITH 316SS ON REQUEST
**SEAT AND SEAL ARE AVAILABLE WITH CARBON OR GRAPHITE IMPREGNATED PTFE ON REQUIREMENT

FLOW COEFFICIENT

U.S. GPM/1 PSI DROP

TORQUE: IN LB AT LINE PRESSURE OF 300 PSI

VALVE SIZE		Cv	TORQUE IN-LB MAX BREAKAWAY
mm	inch		
15	½	4.3	35
20	¾	3.5	40
25	1	17	30
32	1 ¼	33	130
40	1 ½	52	140
50	2	76	180



127 Lemmer Road, Vulcania Ext. 2, Brakpan, RSA
PO Box 10270, Dalview 1544.
Phone No. : +27 11 736 4994 Fax: +27 11 736 6130
Email: pleixquip@pleixquip.co.za
Website: www.pleixquip.co.za