



PLEIX-QUIP



Africa (Pty)Ltd

DOUBLE DOOR DI WAFER CHECK VALVE PQ WC-DISS-150

HYDROSTATIC TEST PRESSURE:

SEAT: 200PSI (14Kg/cm²)

BODY: 300PSI (20Kg/cm²)

END CONNECTIONS:

BS10 TABLE "E"

ANSI 150 Lbs

ISO-PN10/PN16



The Double-Door check valve is a general purpose valve that is stronger, lighter and smaller than conventional swing check valves and is, therefore, less expensive to install and maintain.

The light weight and short face to face dimension of the Double Door Check make it easy to install between standard gaskets and line flanges. Only one set of flange studs is needed, with enough length to span the valve.

The installed valve is inherently more rigid than an equivalent of heavy walled pipe, and there is no need for expensive foundations, expansion joints, or special supports.

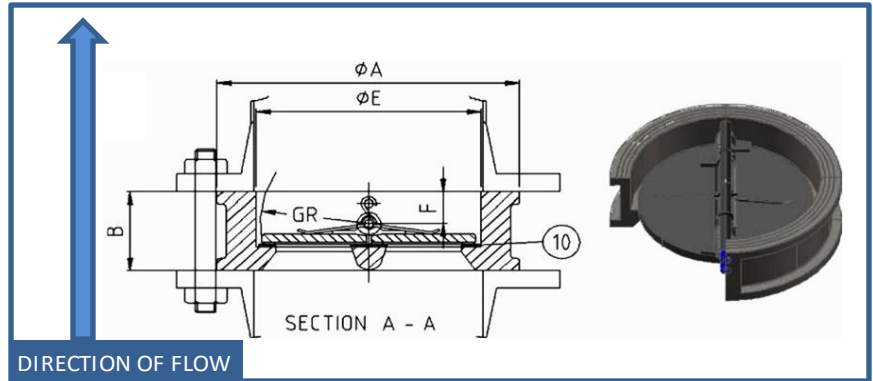
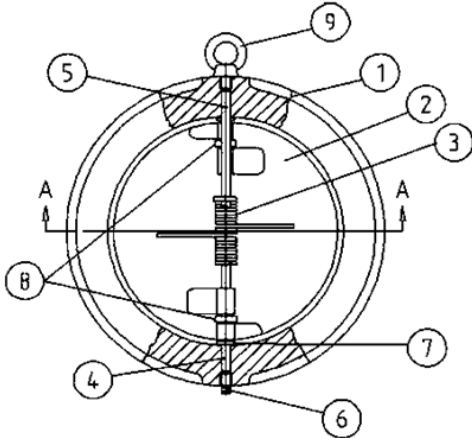
127 Lemmer Road, Vulcania Ext. 2, Brakpan, RSA
PO Box 10270 Dalview 1544.
Phone No. : +27 11 736 4994 Fax: +27 11 736 6130
Email: pleixquip@pleixquip.co.za
Website: www.pleixquip.co.za



PLEXI-QUIP



Africa (Pty)Ltd

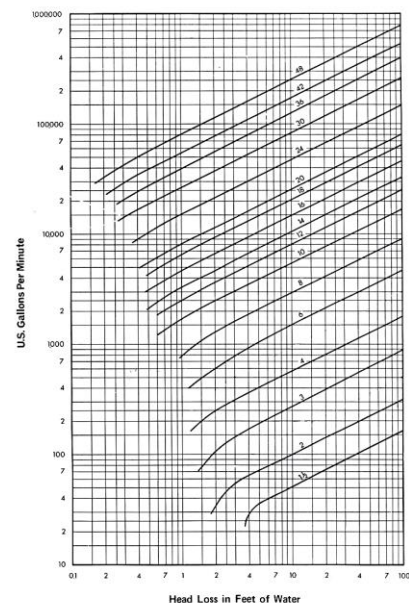


NO	PARTSNAME	MATERIAL	QTY	REMARKS
1	BODY	DI	1	
2	PLATE	CF8M/CF8	2	Both types of Stainless available
3	SPRING	SS316	2	
4	HINGE PIN	SS316	1	
5	STOP PIN	SS316	1	
6	PLUG	CARBON STEEL	4	
7	BODY BEARING	PTFE	2	
8	SPRING BEARING	PTFE	2	
9	EYE BOLT	CARBON STEEL	1	DN200 and Larger have EYE BOLT
10	BODY SEAT	EPDM	1	

SIZE	inch	s A	s t	B	GR	F	WEIGHT
							Kg's
50	2"	98	65	43	28.8	19	1.6
65	2.5"	110	80	46	36.1	20	1.9
80	3"	128	94	63	43.4	28	2.7
100	4"	156	117	65	52.8	27	4.2
125	5"	187	145	70	65.7	30	6.8
150	6"	213	170	76	78.6	31	11
200	8"	267	224	89	104	33	17
250	10"	328	265	114	132	50	29
300	12"	375	310	114	148	43	33
350	14"	415	360	127	172	45	71
400	16"	475	410	140	197	52	99
450	18"	530	450	152	218	58	118
500	20"	580	505	155	241	58	180
600	24"	690	624	222	295	73	549

Pressure Drop Data for Water at 60° F and 1 ATM

Pressure	SHELL		SEAL
	HYDROSTATIC AIR	24 Kg/cm ²	17.6 kg/cm ²
Standard	DESIGN CODE	BS 5153	
	INSPECTION & TEST	DIN 3230 PART 3	
	END STANDARD	DIN PN10	
	FACE TO FACE	DIN 3202 K3	



127 Lemmer Road, Vulcania Ext. 2, Brakpan, RSA
 PO Box 10270 Dalview 1544.
 Phone No. : +27 11 736 4994 Fax: +27 11 736 6130
 Email: pleixquip@pleixquip.co.za
 Website: www.pleixquip.co.za