

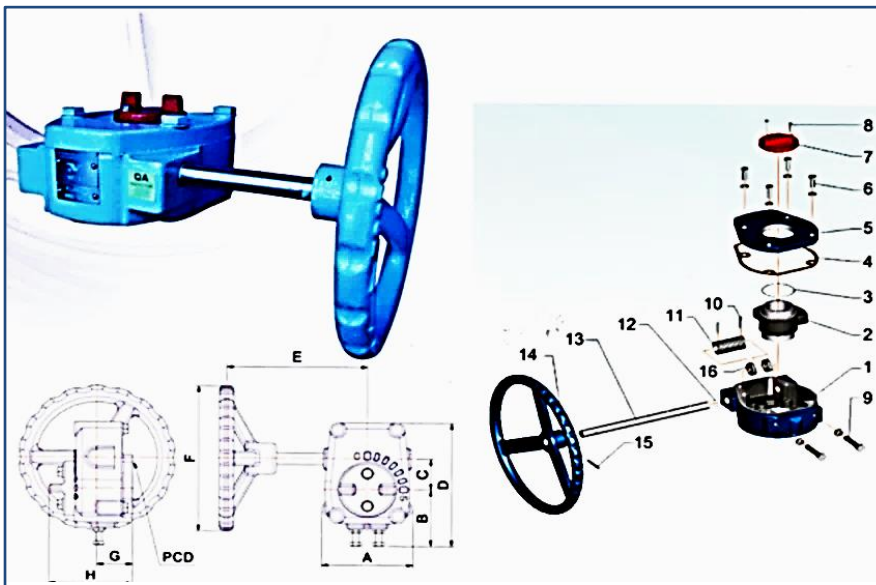


## BUTTERFLY VALVE

### Gearboxes for VF730 up to 500mm

**SERIES NO:**

C07 C12  
C10 C14



NO	NAME	MATERIALS
1	BODY	CAST IRON
2	WORM GEAR	DUCTILE IRON
3	O-RING	NBR
4	PACKING	PAPER
5	COVER	CAST IRON
6	BOLT	STEEL
7	INDICATOR	CAST IRON
8	BOLT	STEEL
9	STOP BOLT	STEEL
10	SPRING PIN	STEEL
11	WORM GEAR	STEEL
12	O-RING	NBR
13	WORM SHAFT	STEEL
14	HANDWHEEL	CAST IRON
15	SPRING PIN	STEEL
16	BEARING	STEEL

SIZE	SERIES NO	ALLOWABLE VALVE STEM DIAMETER			DIMENSIONS								MOUNTING FLANGE (ISO 5211)		GEAR RATIO	WEIGHT Kg
		Depth	Min	Max	A	B	C	D	E	F	G	H	Type	PCD		
40mm-150mm	C07	58	13	19	87	49	41	130	155	150	37	81	F07	70	1:40	3.3
200mm-300mm	C10	65	19	28	117	81	63	176	195	200	42	91	F10	102	1:36	7.5
350mm-400mm	C12	68	25	35	153	97	61	186	232	310	41	88	F12	125	1:36	9
450mm-500mm	C14	95	32	50	181	102	81	223	280	400	52	117	F14	140	1:52	22

127 Lemmer Road, Vulcania Ext. 2, Brakpan, RSA  
 PO Box 10270 Dalview 1544.  
 Phone No. : +27 11 736 4994 Fax: +27 11 736 6130  
 Email: [pleixquip@pleixquip.co.za](mailto:pleixquip@pleixquip.co.za)  
 Website: [www.pleixquip.co.za](http://www.pleixquip.co.za)



# PLEIX-QUIP

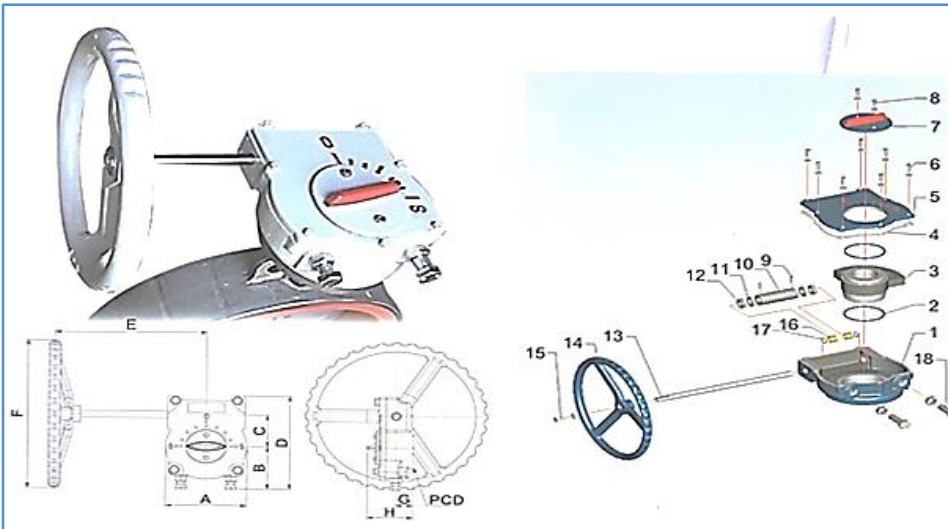


Africa (Pty)Ltd

## GEAR OPERATION FOR DOUBLE ECCENTRIC AND HEAVY DUTY BUTTERFLY VALVES FROM 600mm AND LARGER

SERIES NO:

AB	A1
AA	A2
A0	



NO	NAME	MATERIALS
1	BODY	CAST IRON
2	O-RING	NBR
3	WORM GEAR	DUCTILE IRON
4	PACKING	PAPER
5	COVER	CAST IRON
6	BOLT	STEEL
7	INDICATOR	CAST IRON
8	BOLT	STEEL
9	SPRING PIN	STEEL
10	WORM	STEEL
11	THRUST RING	STEEL
12	BEARING	STEEL
13	WORM SHAFT	STEEL
14	HANDWHEEL	CAST IRON
15	BOLT	STEEL
16	BUSHING	COPPER
17	O-RING	NBR
18	STOP BOLT	STEEL

Series No	Allowable Valve stem Diameter			Dimensions								Mounting flange (ISO 5211)		Gear ratio
	Depth	Min	Max	A	B	C	D	E	F	G	H	Type	PCD	
AB	65	13	19	140	69	51	165	189	150	36	81	F07	70	1:28
AA	65	19	28	140	69	51	165	202	200	36	81	F10	102	1:32
A0	70	25	35	150	83	60	183	275	310	38	85	F12	125	1:36

127 Lemmer Road, Vulcania Ext. 2, Brakpan, RSA  
 PO Box 10270 Dalview 1544.  
 Phone No. : +27 11 736 4994 Fax: +27 11 736 6130  
 Email: [pleixquip@pleixquip.co.za](mailto:pleixquip@pleixquip.co.za)  
 Website: [www.pleixquip.co.za](http://www.pleixquip.co.za)