



ELECTRIC ACTUATOR SA - 03



The SA-Series Actuator has been designed for the automation of 90-degree rotating equipment. The Actuator is well suited applications requiring torque 3Kg.m (30Nm). Typical applications are ball valves, butterfly valves and dampers.

PERFORMANCE

OPERATING TIME (90°)	RATED CURRENT (A)					DUTY CYCLE		MOTOR W	NUMBER OF HANDLE TURNS	WEIGHT
	1 PHASE (AC)				DC	S2 (min)	S4 (%)			
N.m	50Hz/60Hz	24V	110V	220V	24V					
30	9sec	1	0.2	0.11	0.8	15	50	15	6	1.5
	7sec									
	12sec									
	12sec									

OPTION

		SA-03	SA-03L
P.I.U	Potentiometer		•
C.P.T	Current Position Transmitter Output DC 4-20mA		•
P.C.U	Proportional Control Unit Input: DC 4-20mA, 2-10V, 0-5V, 0-10V, 1-5V Output: DC 4-20mA		•

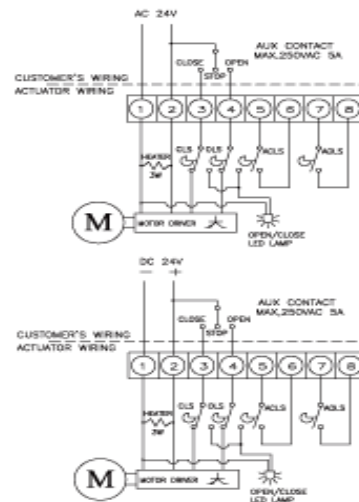
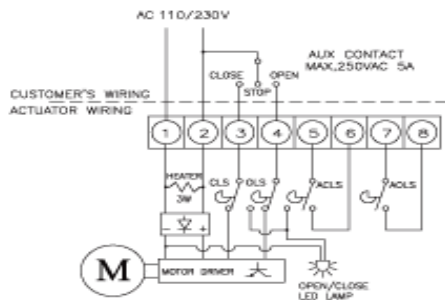


STANDARD SPECIFICATION

Indicator	Dome type (LED light inside)	Enclosure	Weatherproof enclosure IP67 Nema 4 and 6
Ambient temperature	-20°C to 70°C	Power supply	AC 110/230V 1PH ± 10% 50/60Hz, AC24V, DC24
Limit switches	2 Open/Close + Dry contact 2 Open/Close	Travel angle	90° ± 5° (Extension : up to 270°)
Manual operation	By L-wrench (6mm hexagon)	Self locking	Provided by means of magnetic in motor
Space heater	2 x 1.5W	Conduit entries	1-PF 1/2" (Option : 1-M20x1.5, 1-NPT 1/2")
Lubrication	Shell Gadus S2 V220 2	Consist of Materials	Aluminium alloy
Surface treatment	Anodizing	External coating	Polyester (TGIC-free)

STANDARD WIRING

CLS : Close Limit Switch (250VAC 5A)
 OLS : Open Limit Switch (250VAC 5A)
 ACLS : Aux Close Limit Switch (250VAC 5A)
 AOLS : Aux Open Limit Switch (250VAC 5A)



DIMENSION

SA-03	BASE