



PLEIX-QUIP



Africa (Pty)Ltd

STAINLESS STEEL SWING CHECK VALVE

ANSI 150 AND 300 FLANGED

FIG. PQ-SS SC-150 (150 CLASS)

FIG. PQ-SS SC-300 (300 CLASS)



127 Lemmer Road, Vulcania Ext. 2, Brakpan, RSA
PO Box 10270 Dalview 1544.
Phone No. : +27 11 736 4994 Fax: +27 11 736 6130
Email: pleixquip@pleixquip.co.za
Website: www.pleixquip.co.za



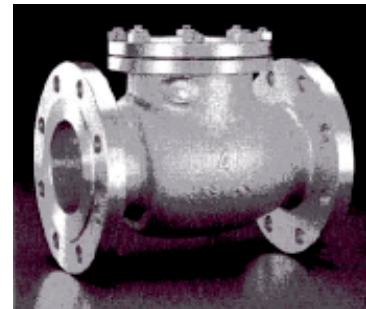
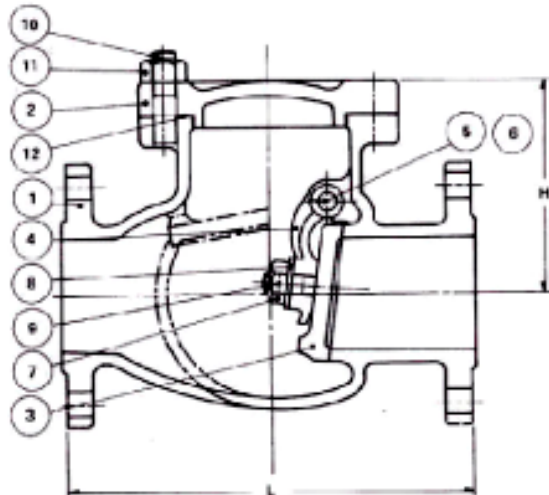
PLEIX-QUIP



Africa (Pty)Ltd

**ANSI 150 AND 300 FLANGED – BOLTED COVER
CAST S.S BODY – HORIZONTAL SWING CHECK VALVES**
FIG. PQ-SS SC-150 (CLASS 150)
FIG. PQ-SS SC-300 (CLASS 300)

- Specifically designed to handle corrosive fluids in the process industries.
- Cast in corrosion resistant stainless steel in size 15mm to 300mm.
- Precision machined disc and seat for tight shut off in reverse flow direction
- Available in 150, 300 and 600 ANSI rating as well as table BS4504 drilling.



DIMENSIONS & WEIGHTS

VALVE SIZE	ANSI 150			ANSI 300		
	L	H	WT	L	H	WT
mm	mm	mm	Kg	L	H	WT
15	108	76	4	152	89	5.5
20	217	83	6	178	98	7.7
25	127	89	7	216	102	9.1
40	165	95	10	241	116	11.8
50	203	110	12	267	129	12.7
65	216	135	17	292	151	23.6
80	241	140	22	318	160	30.9
100	292	160	34	356	184	50
150	356	215	55	444	238	100
200	495	255	90	533	279	204.5
250	622	310	150	622	344	295.5
300	698	365	213	711	388	397.7

MATERIALS

PART	MATERIAL
1. BODY	CF8M
2. COVER	CF8M
3. DISC	CF8M
4. ARM	CF8M
5. HINGE	AISI 316
6. PLUG	AISI 316
7. DISC NUT	AISI 316
8. WASHER	AISI 316
9. SPLIT PIN	AISI 316
10. STUD	AISI 316
11. NUT	AISI 316
12. GASKET	PTFE

127 Lemmer Road, Vulcania Ext. 2, Brakpan, RSA
 PO Box 10270 Dalview 1544.
 Phone No. : +27 11 736 4994 Fax: +27 11 736 6130
 Email: pleixquip@pleixquip.co.za
 Website: www.pleixquip.co.za